

Discussed in this part are the classification of Phase 2 Division 8 plat roads, proposed road sections, roadway illumination and emergency access.

Roadway Classifications

The proposed roads shown in the Site Development Plan are classified as follows:

Road	Conceptual Master Plan Classification
Road A Loop	Secondary Traffic Circulation
Road B	Secondary Traffic Circulation
Road C	Secondary Traffic Circulation

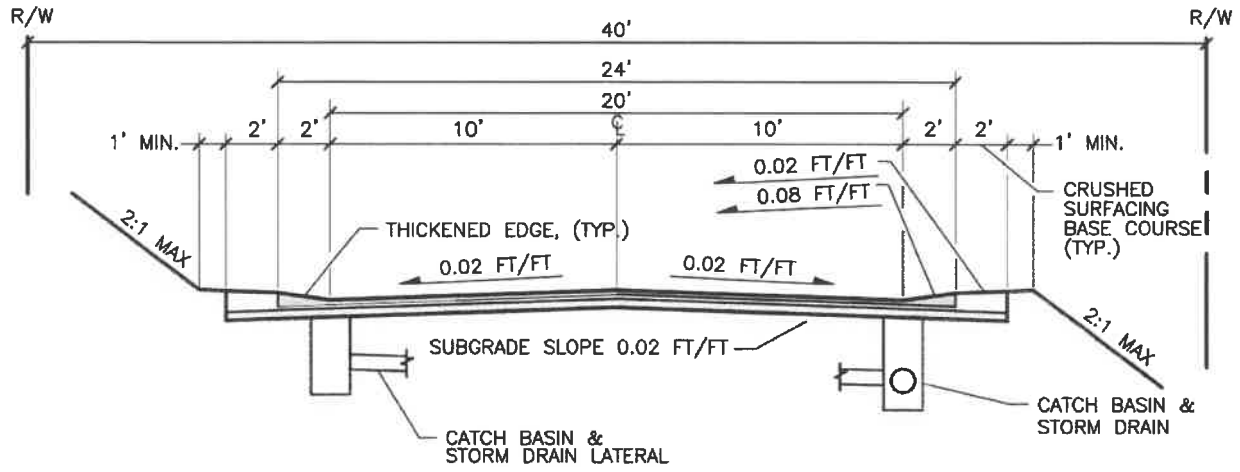
Roadway Sections

The proposed roadway section for the Phase 2 Division 8 plat is shown in Figure 2-1. Applicability of the sections is as follows:

Road	Type	Figure
Road A Loop	R-II - Minor Residential – Two-Way	2-1 / 2-2
Road B	R-II - Minor Residential – Two-Way or Alternative #2	2-1 / 2-2
Road C	R-II - Minor Residential – Two-Way	2-1 / 2-2

Access

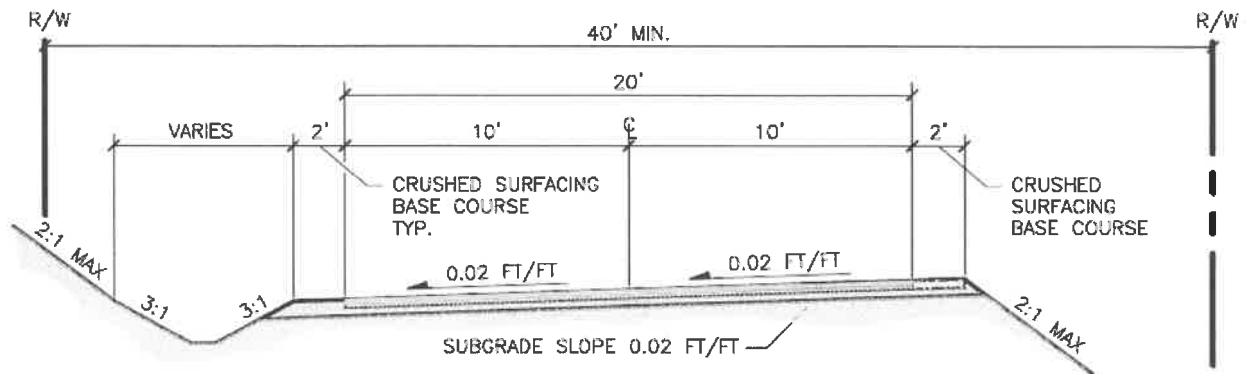
PRIMARY ACCESS: As illustrated on the Site Development Plan, primary access to the Phase 2 Division 8 plat will be from Swiftwater Drive.



**TYPE R-II
MINOR RESIDENTIAL ROADWAY**

NOT TO SCALE

Figure 2-1



**TYPE R-II
MINOR RESIDENTIAL ALT #2 ROADWAY**

NOT TO SCALE

Figure 2-2

Illumination

Street lighting designs will conform to the principles of preserving dark skies while providing lighting levels appropriate for roadway safety and security. Street lighting will conform to the following planning criteria.

- a) Use of full-cutoff shielding on outdoor light fixtures;
- b) Mounting of light fixture luminaries at a height of not greater than 30 feet;
- c) Establishment of roadway lighting standards based on needed light distribution and the luminance of roadway surfaces;
- d) Use of LED street lights;
- e) Use of timer or photo-cell controls to regulate when and where lighting would occur; and
- f) Avoiding unnecessary lighting of building facades.

Streetlights will be located at intersections, pedestrian trail crossings, and other locations where needed. Alternative luminary styles will be considered during project design.